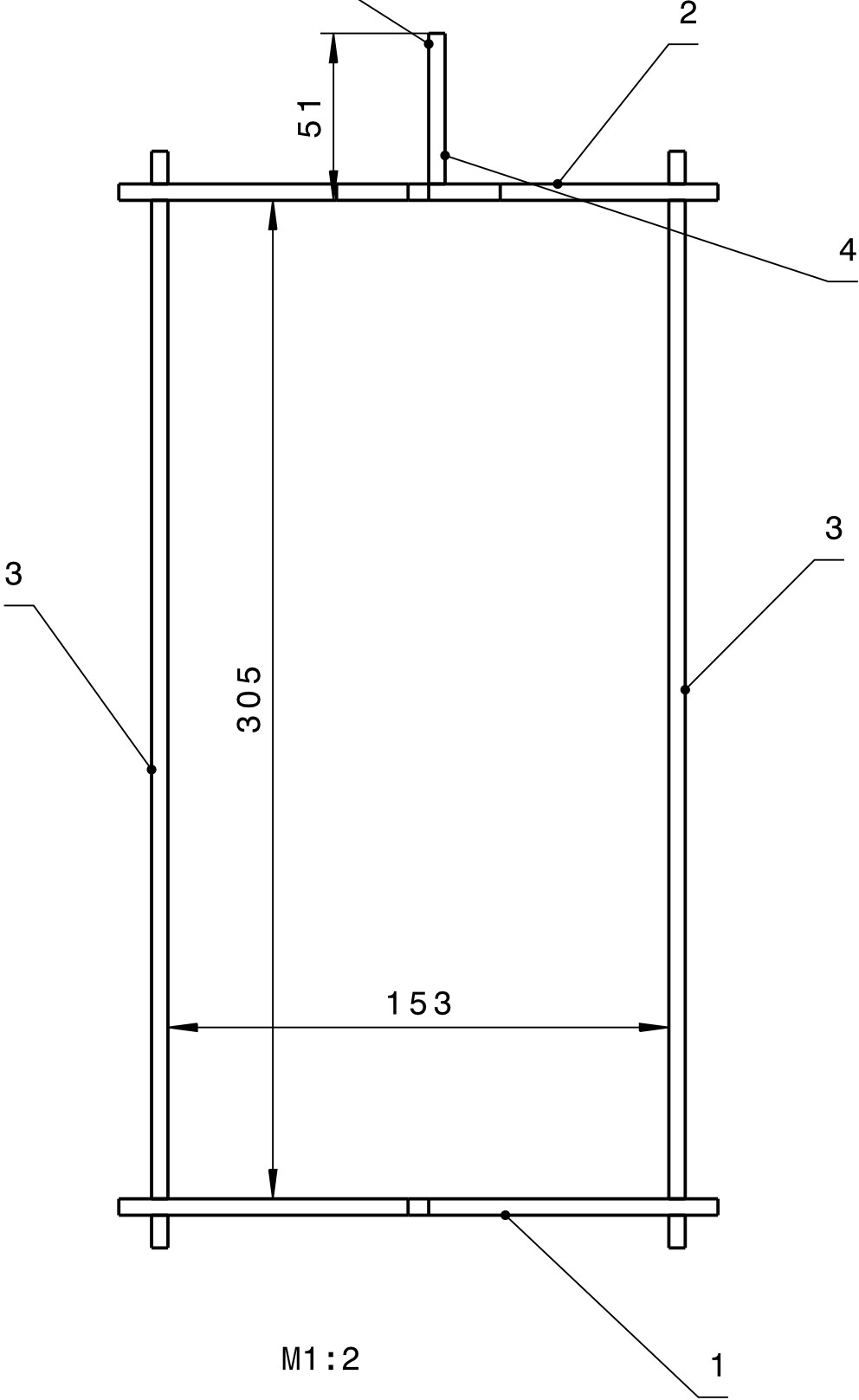
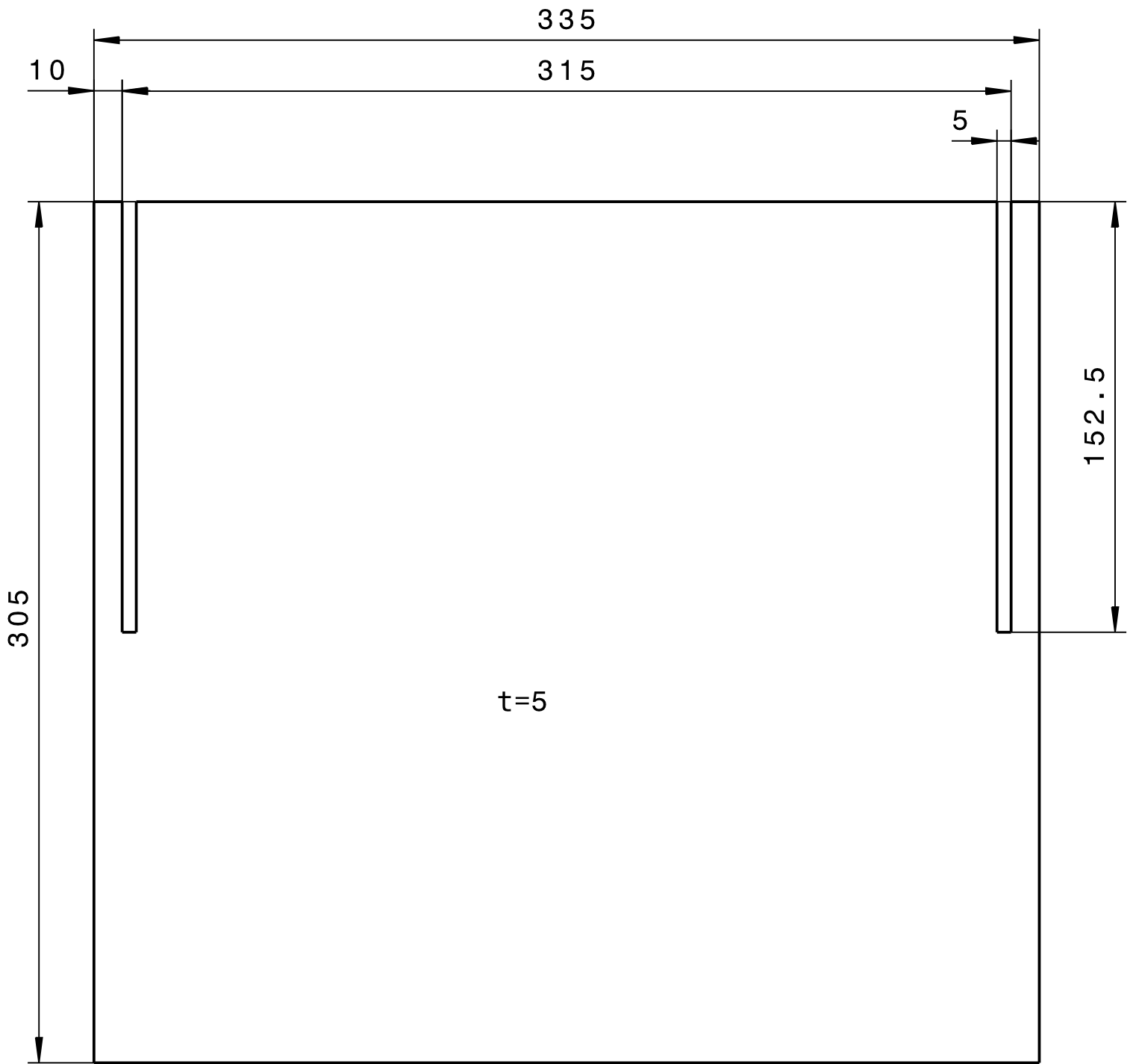


Part with a hinge attached to the box

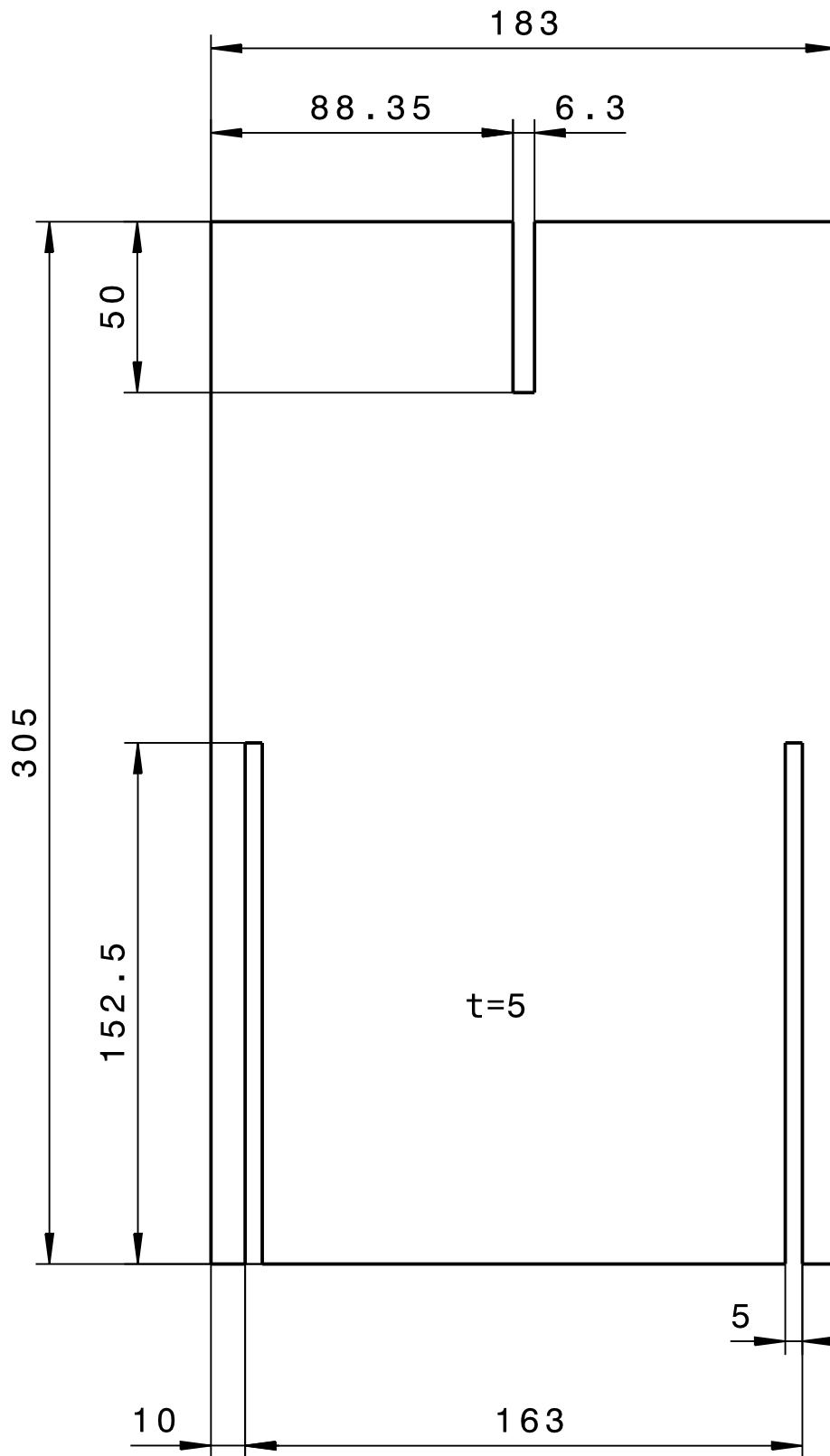


M1:2



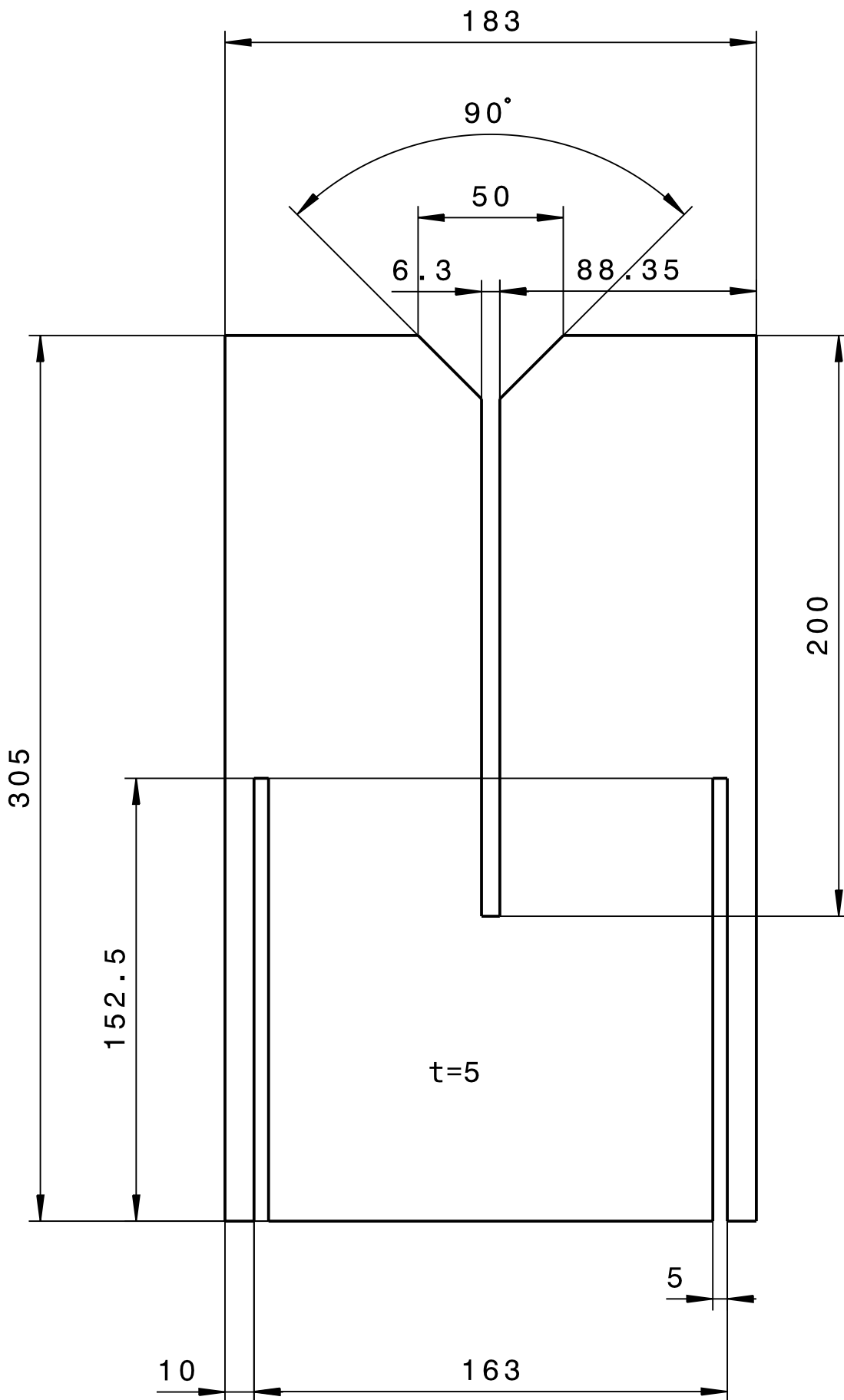
Part1 3 Front part 2x

M1:2

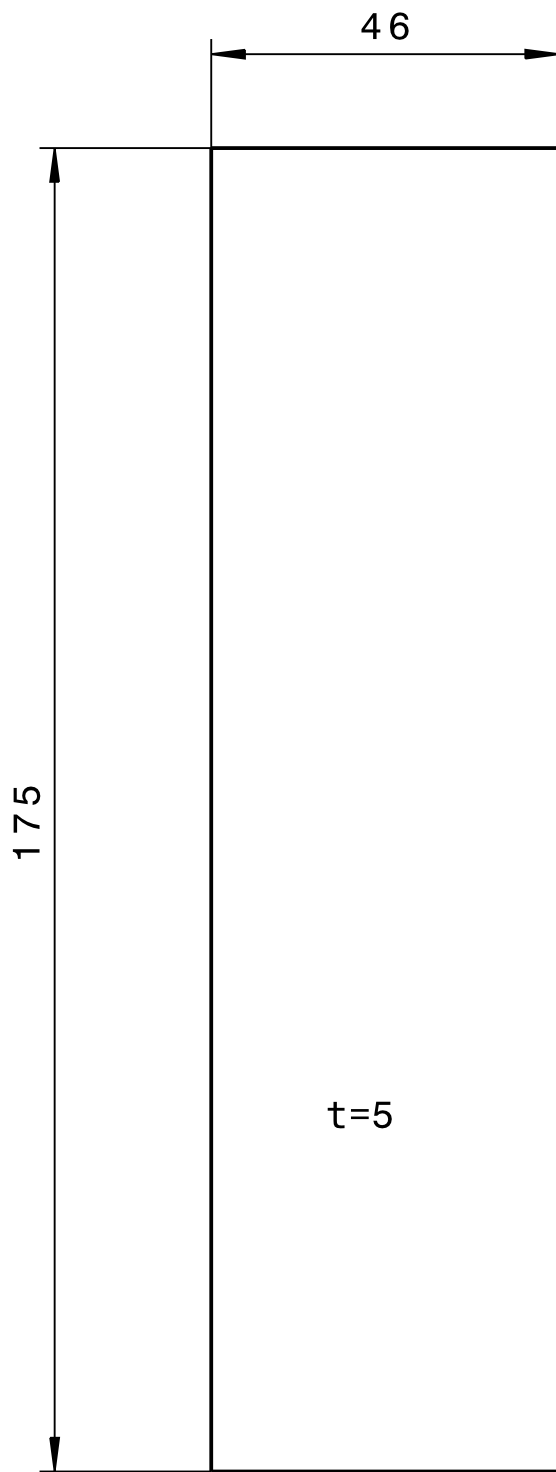


Part 1 Side

M1:2



Part 2 Side
 M1:2



Part 4 Overhang

M1:1